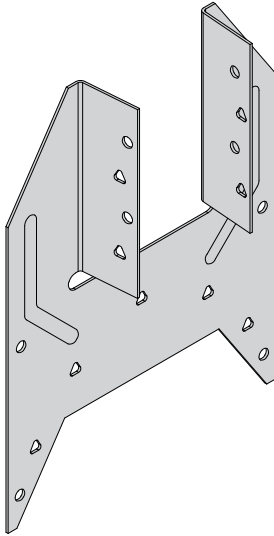


Truss Anchor



The TA secures trussed rafters to 2 ply wall plates or head binders whilst providing a positive fixing on two planes.



Features & Benefits

- Eliminates damage from skew nailing into the wall plate
- “Push on” fit allows truss anchor to be retained in position prior to nailing
- Optional triangular nail holes for enhanced performance

Material Specification

- Galvanised mild steel - Z275

Fixings

Code	Description	Box Qty
547389	3.4 x 35mm Square Twist Nails - LOOSE	500
141185	3.4 x 35mm Square Twist Nails - COLLATED*	2,500

*For use with Paslode PPN35Ci

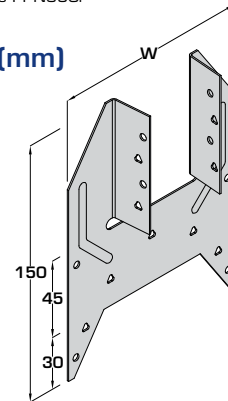
Available Sizes

Product Code	Truss Width (mm)	W (mm)
TA-38	35	100
TA-50	47	113

In Situ

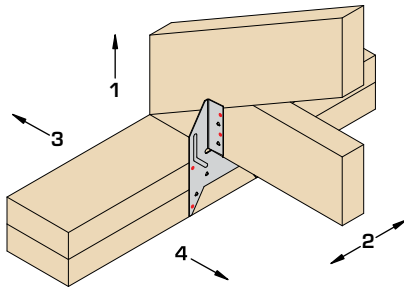
Double wall plate required for all installations (min 75mm) unless using in a timber frame application where the framing anchor can be fitted to the head binder.

Dimensions (mm)



Standard Installation

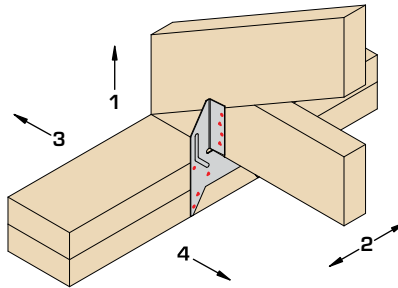
(Fill all circular nail holes)



(Plates omitted for clarity)

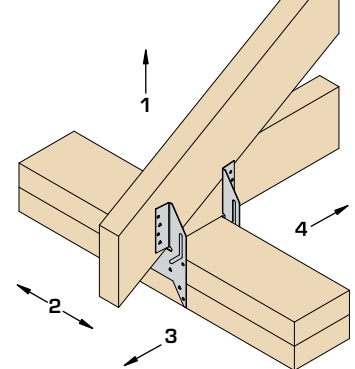
Enhanced Installation

(Fill all nail holes)



2No Truss Anchors

(Dependant on truss heel)



Load Data

Product Code	Installation	Fixings (3.4 x 35mm)		Safe Working Loads (kN)		Characteristic Capacity (kN)
		Header	Incoming	Load Direction	Solid Timber Header (Min C16)	Solid Timber Header (Min C16)
					Short Term	
TA-38, TA-50	STANDARD INSTALL	4	4	1	2.40 (4.80**)	3.48 (6.96**)
				2	0.90 (1.80**)	3.39 (6.78**)
				3	1.29 (1.74**)	0.78 (1.35**)
				4	0.45 (1.74**)	0.57 (1.35**)
TA-38, TA-50	ENHANCED INSTALL	9	8	1	4.30 (8.60**)	7.54 (15.08**)
				2	1.93 (3.86**)	4.17 (8.34**)
				3	1.29 (2.40**)	2.10 (4.29**)
				4	1.11 (2.40**)	2.19 (4.29**)

**Values for 2No truss anchors